

# VMM6 Series

## Contura® Digital Switch Module, 6 Rocker



The VMM-Series is a sealed multiplexed, digital switch module featuring the Carling V-Series Contura® rocker switches. Well known for their cutting-edge design, high quality, maximum performance and unmatched reliability, the VMM-Series reduces the complexity and cost of traditional wiring harnesses, increases product life and reliability, and reduces installation time. Available in six simple configurations, VMM6 is a plug-and-play solution that delivers switching technology at a very attractive price point.

For customers that want the option to source aftermarket actuators, we offer two versions of the VMM6 without actuators (Part numbers A3801-5, A3801-6).

### Product Features

- NMEA 2000® CAN Protocol
- IP68 Front Panel Sealing Protection
- Configurable
- Horizontal or Vertical Mounting Options
- Aftermarket Actuators Available
- LED Feedback of Circuit State
- Low Current Switching
- Tactile and Audible Feedback

### Front View

#### SEALING PROTECTION

Fully sealed IP68 front panel (when connected)



#### CUSTOMIZABLE ICONS

Choose from our standard selection of icons, or customize your own. Consult the factory for additional options.

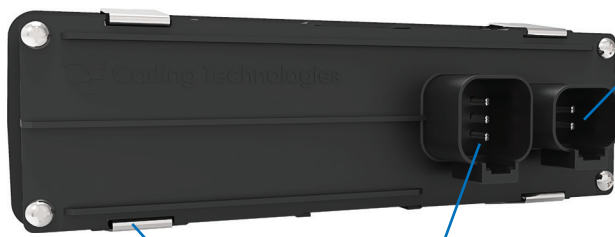
#### ROCKERS

Variety of V-Series Contura® actuators

### Back View

#### SEALING PROTECTION

Fully sealed IP68 back panel when connected and mating plug installed (included).



#### 4 PIN CONNECTOR

The included mating plug must be installed to meet IP68 Rating for back panel.



Plug included

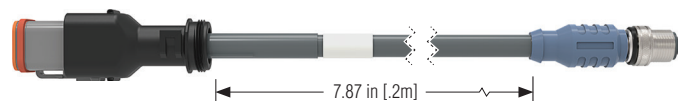
#### SNAP-IN MOUNTING

For fast, easy assembly

#### 6 PIN CONNECTOR

Mates to the VMM to NMEA 2000® Adapter Cable

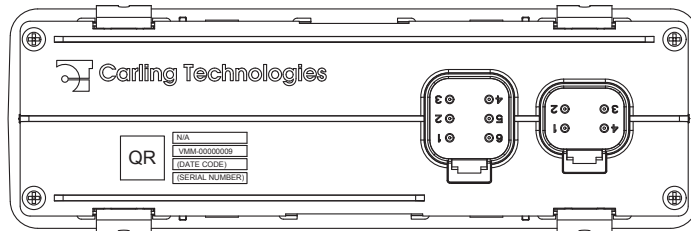
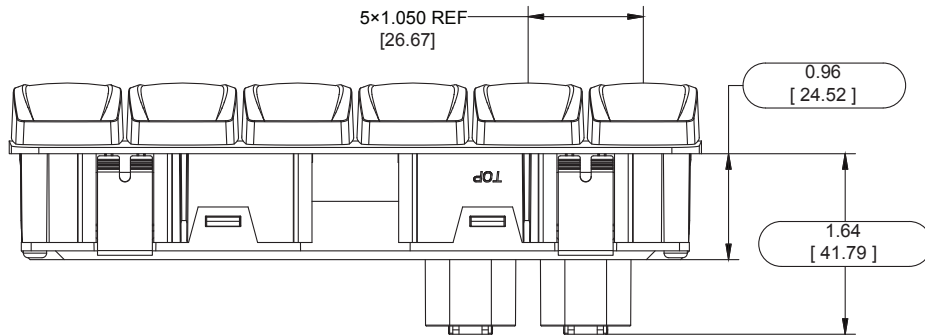
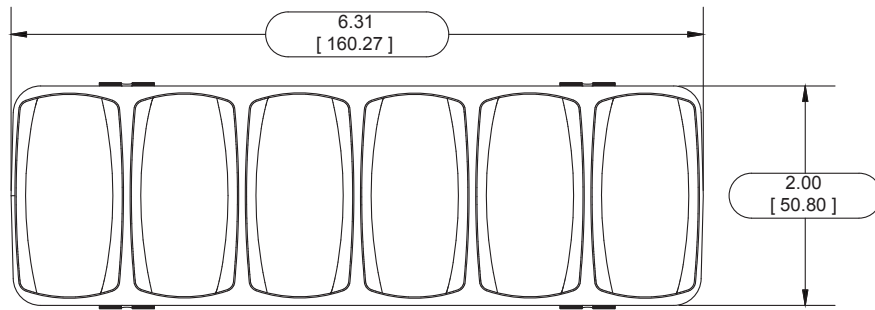
### VMM to NMEA 2000® Adapter Cable - .2m (A3702)



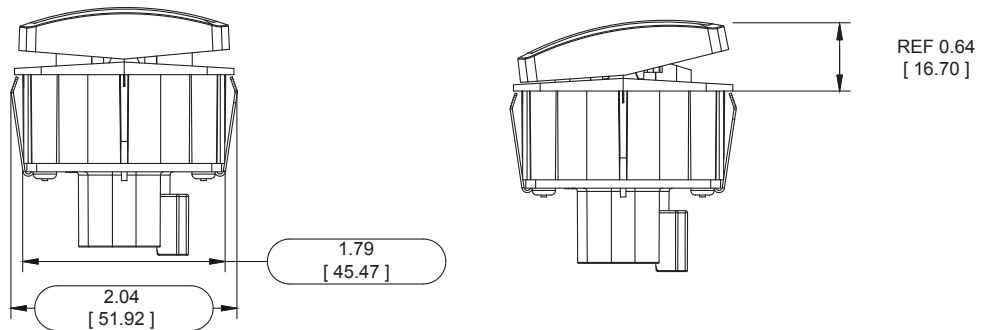
### PRODUCTS

PART NUMBER	DESCRIPTION
A3801-1	Contura II (ALL Position Momentary ON) w/ VMM to NMEA 2000® Adapter Cable .2m
A3801-2	Contura II (Right Switch 3-Position) w/ VMM to NMEA 2000® Adapter Cable .2m
A3801-3	Contura V (All Positions Momentary ON) w/ VMM to NMEA 2000® Adapter Cable .2m
A3801-4	Contura V (Right Switch 3-Position) w/ VMM to NMEA 2000® Adapter Cable .2m
A3801-5	No Actuators (ALL Positions Momentary ON) w/ VMM to NMEA 2000® Adapter Cable .2m
A3801-6	No Actuators (Right Switch 3-Position) w/ VMM to NMEA 2000® Adapter Cable .2m
A3702	VMM to NMEA 2000® Adapter Cable - .2m

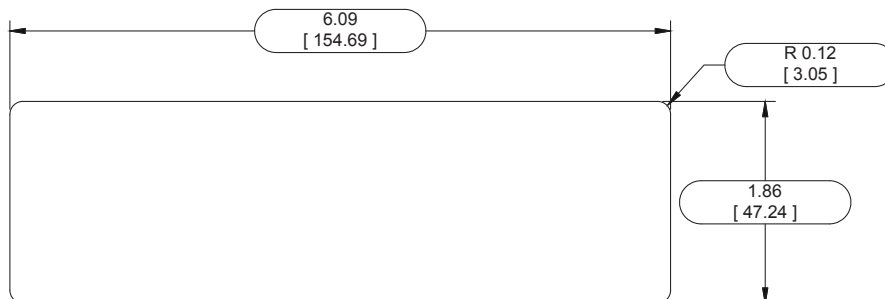
# Dimensional Specifications - Inch [mm]



BUILT-IN RECEPTACLES COUPLE WITH DEUTSCH DT SERIES 4 AND 6 POSITION PLUGS  
(4 POSITION RECEPTACLE RESERVED FOR FUTURE USE)



REQUIRED MOUNTING PANEL CUTOUT SIZE:



MINIMUM PANEL THICKNESS: 0.06 [1.57]