



CLMD16

16 Channel DC Load Controller Module



Quick Start Guide

P/N: M003137

Rev. 1.4 (2/2021)

Copyright ©2021 Carling Technologies, Inc.

**60 Johnson Ave.
Plainville, CT
06062 USA**

All Rights Reserved

<http://www.maretron.com>

Thank you for purchasing MPower CLMD16

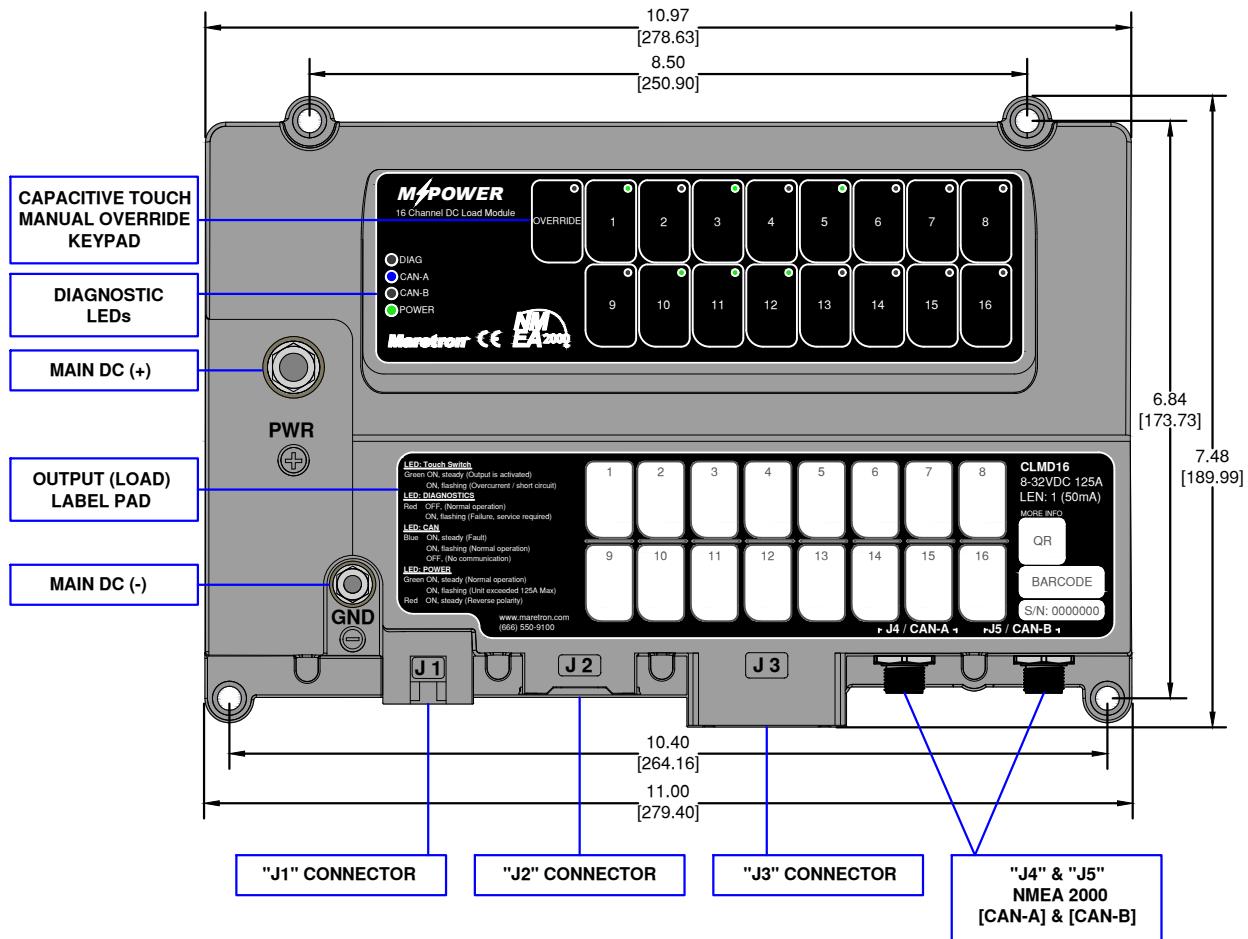
The CLMD16 features 125A total current switching capacity using 16 PWM capable Electronic Circuit Breakers (ECBs) housed inside an IP67, Ignition Protected casing.

CLMD16 Features at a Glance:

- 2- NMEA 2000® Interfaces
 - 12-12A ECBs
 - 4- 25A ECBs
 - 8- Analog (VDC) / Digital Inputs (DC (-), DC (+) or “Float” sensing inputs)
 - 2- Resistive inputs (0 - 250Ω) & (0 - 1000Ω)
 - 1- Current loop input (4 - 20mA)
 - 3- Groups of 2 ECB load outputs rated at 12A can be paralleled to switch a maximum current of 21.6A
 - 1- Pair of 2 ECB load outputs can be paralleled to switch a maximum current of 45A
 - 4 -12A ECBs are capable of half bridge operation
- By pairing half bridge ECBs the CLMD16 allows for 2 reversing polarity outputs suitable for use with loads such as hatch rams or trim tabs.
- Capacitive Touch Manual Override keypad to toggle the ECB's On / Off
 - The CLMD16 unit is controlled, and can control devices via NMEA 2000® network technology.

To learn more about the MPower CLMD16's features please refer to the User's Manual

CLMD16 Hardware Description:

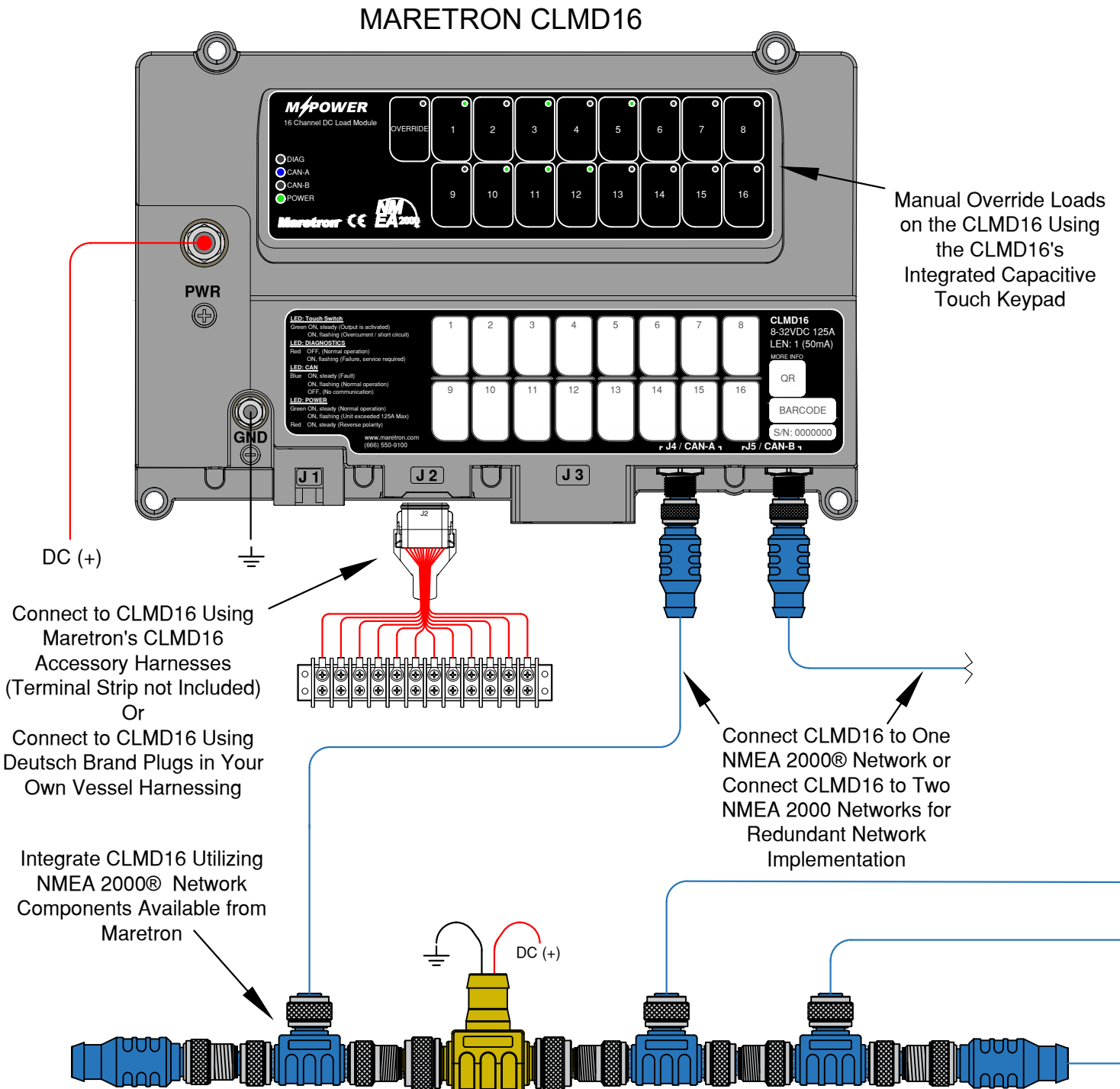


CLMD16 Application:

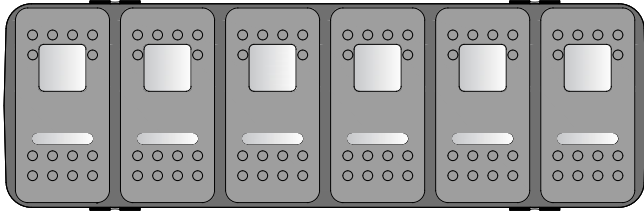
Apply the CLMD16 unit with any Maretron device running N2K view®, Maretron's CKM12 (12 Button Keypad) or VMM6 (Contura® Digital Switch Module, 6 Rocker) and third party MFDs supporting NMEA2000® standard switching PGNs. The CLMD16 comes pre-configured with an *Out of Box Configuration* that allows all 16 ECB outputs to be switched by network devices supporting NMEA2000® standard switching PGNs. The CLMD16's *Out of Box Configuration* also allows for Maretron's CKM12 (12 Button Keypad) and VMM6 (Contura® Digital Switch Module, 6 Rocker) to control CLMD16 without the need for any user configuration adjustments. Please see the *Out of Box Configuration* details in this Quick Start Guide for information on the CLMD16's default configuration and how this configuration will behave when a CLMD16 is paired with a Maretron CKM12 or Maretron VMM6.

Note: Depending on desired switch control, default configuration may not work for your application and custom configuration will be needed using Maretron N2KAnalyzer®.

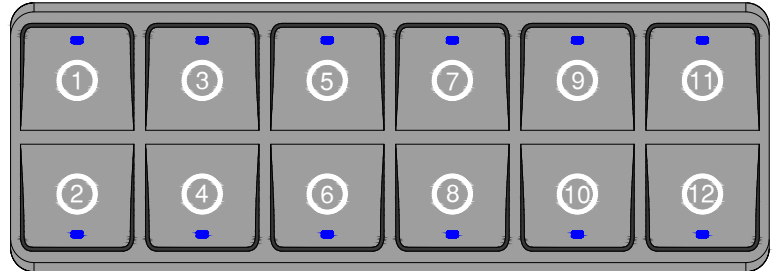
Installation Principal:



MARETRON VMM6



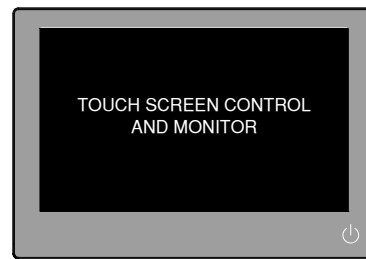
MARETRON CKM12



MARETRON TSM810C



THIRD PARTY MFD

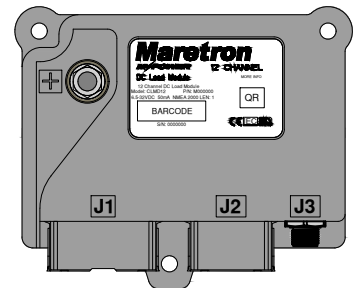


Choose From a Variety of Control Devices for the CLMD16



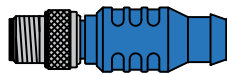
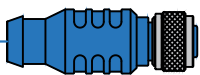
Easily Expand Your MPower System with Other Maretron MPower Devices

MARETRON CLMD12

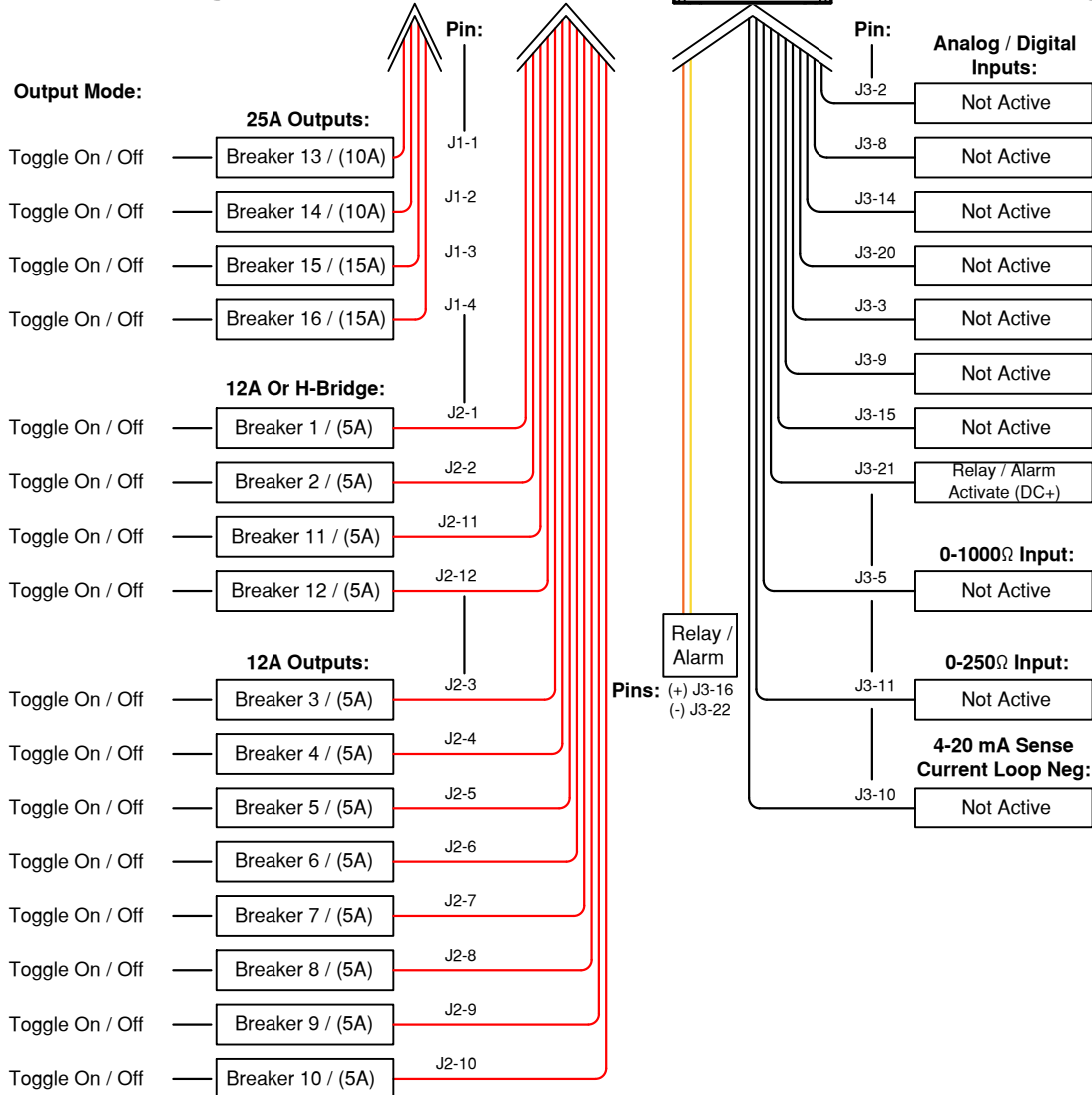
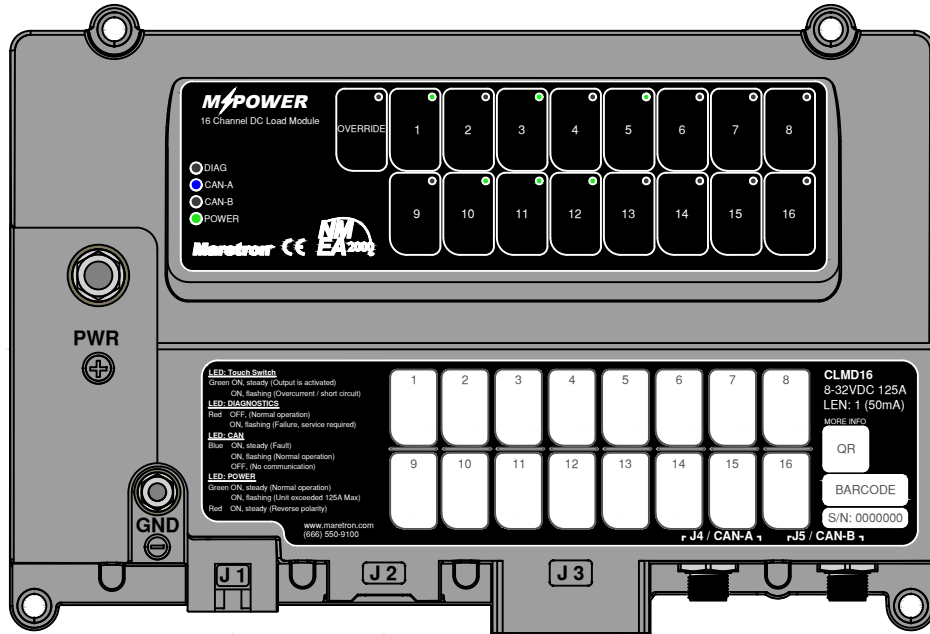


Other NMEA 2000® Devices:

- Stereo
- VHF
- Depth

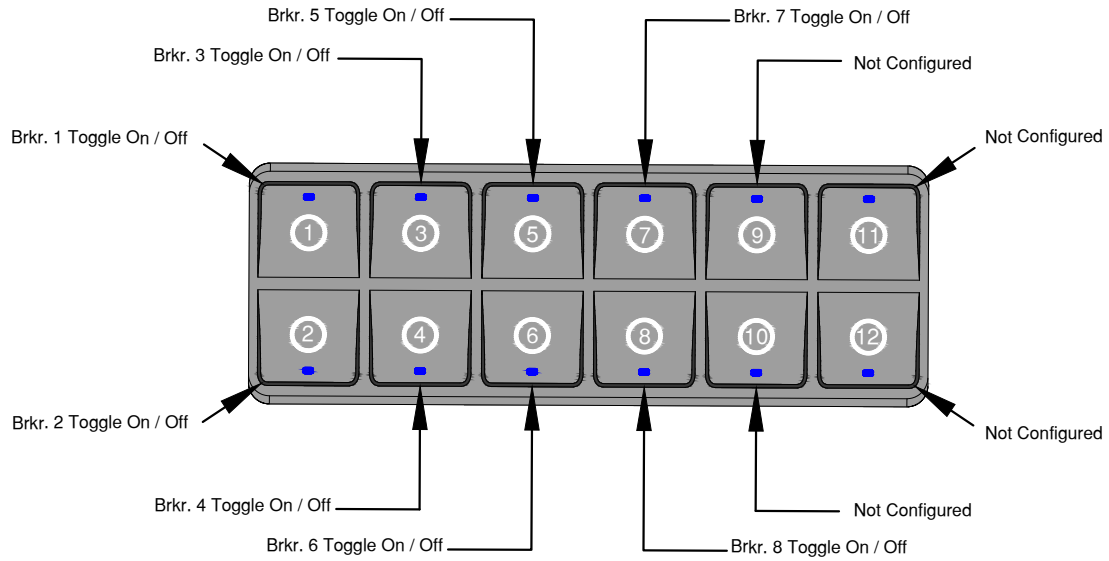


CLMD16 Out of Box Configuration Module Details:

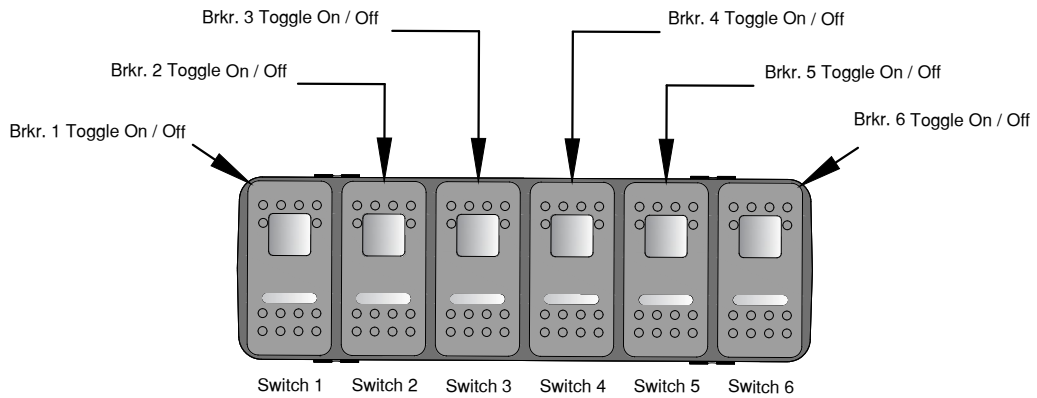


CLMD16 Out of Box Configuration Switch Bank Details:

MARETRON CKM12



MARETRON VMM6 (6 Switch)





CLMD16

**For Additional Information About Your
CLMD16 Scan this QR Code:**



Technical Support:

If you require technical support for Maretron products,
you can reach us in any of the following ways:

Telephone: 1-866-550-9100

Fax: 1-602-861-1777

E-mail: marine.support@carlingtech.com

World Wide Web: <http://www.maretron.com>

Mail: Carling Technologies, Inc.

Attn: Maretron Technical Support

120 Intracoastal Pointe Dr.

Jupiter, FL 33477 USA