

12-Channel Optional Bypass Module



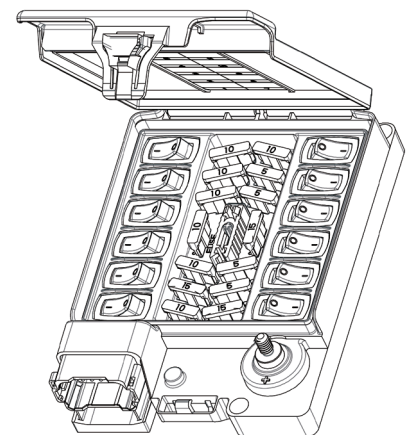
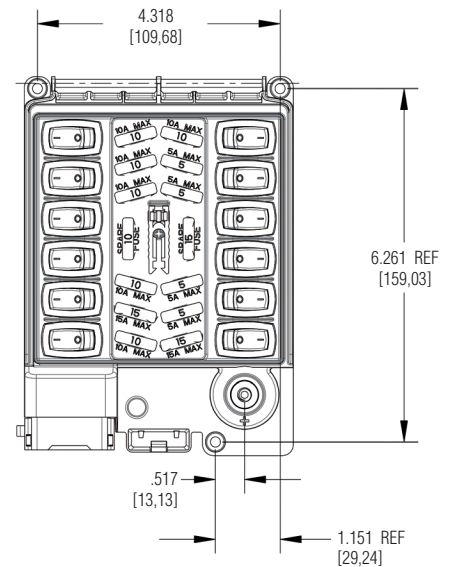
For manual control of the loads, an optional MPower® 12-Channel Bypass Module (CBMD12) can be installed in conjunction with the 12-Channel DC Load Controller Module (CLMD12). The maximum current capacity for the CBMD12 is 75 amps in 12V DC and 24V DC power systems.

The Bypass Module provides a manual method (ON/OFF switch) to control loads by providing power to each load in case of a CLMD12 malfunction or a NMEA 2000® network failure. The CBMD12 utilizes standard fuses for overcurrent protection and 12 Carling Corvette® Rocker Switches for manual control of each load. With the use of the Corvette rocker switches, there is no arcing that occurs while manually overriding a load. Furthermore, unlike other digital switching products, MPower does not require moving a fuse which can cause electrical connections to degrade, or the possibility for ignition.

It's important to ensure that the current rating of the fuse for each load is appropriate to protect the load and the wiring for that load. Please note that the bypass module does not support paralleled outputs, since each circuit is controlled by a separate switch. Additionally, the bypass module does not support dimming of circuits.

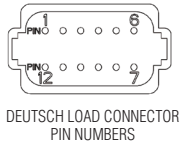
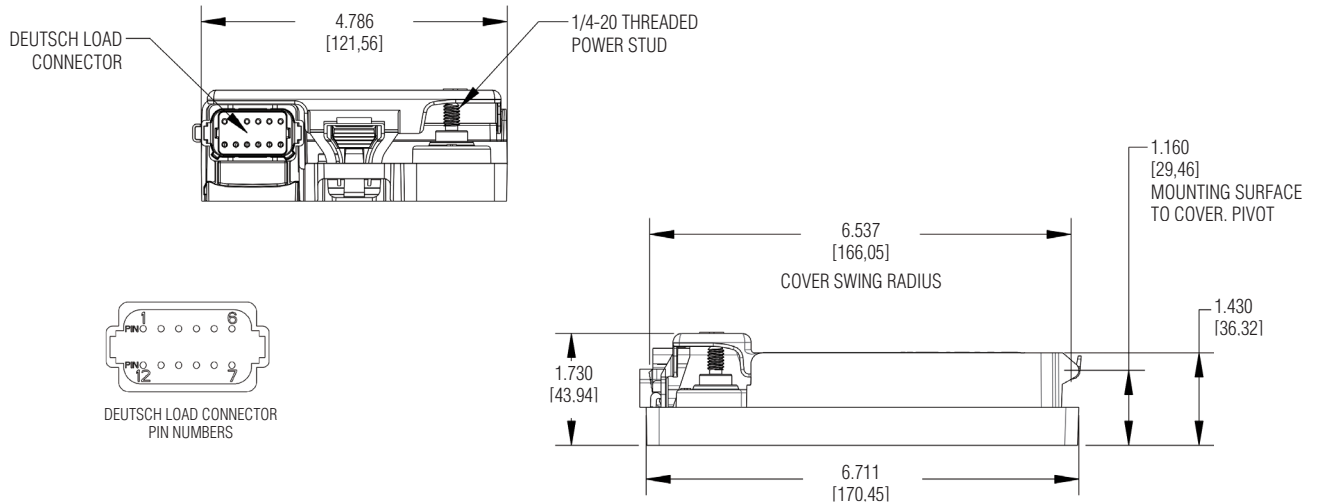
Product Features

- 75 amps maximum current capacity
- Outputs
 - 12A max (two outputs)
 - 10A max (six outputs)
 - 5A max (four outputs)
- 12 & 24 VDC power systems
- Carling Technologies Corvette® Rocker switches
- Overcurrent protection via ATC standard fuses



PRODUCT

PART NUMBER	DESCRIPTION
CBMD12-R	12-Channel Bypass Module w/ Fuse Pack and Jumper Wire
A3720	Bypass Module Jumper Wire with Lugs, 6AWG, Red
A3721	Bypass Module Fuse Pack



PIN#	1	2	3	4	5	6	7	8	9	10	11	12
SWITCH#	1	2	3	4	5	6	12	11	10	9	8	7
FUSE MAX RATING	10 AMP	15 AMP	10 AMP	10 AMP	10 AMP	10 AMP	10 AMP	5 AMP	5 AMP	5 AMP	5 AMP	15 AMP

12-Channel Bypass & DC Load Controller Module Installation

