



CLMD12

12 Channel DC Load Controller Module



Quick Start Guide

P/N: M003138

Rev.1.1 (2/2021)

Copyright ©2021 Carling Technologies, Inc.

60 Johnson Ave.

Plainville, CT

06062 USA

All Rights Reserved

<http://www.maretron.com>

Thank you for purchasing MPower CLMD12

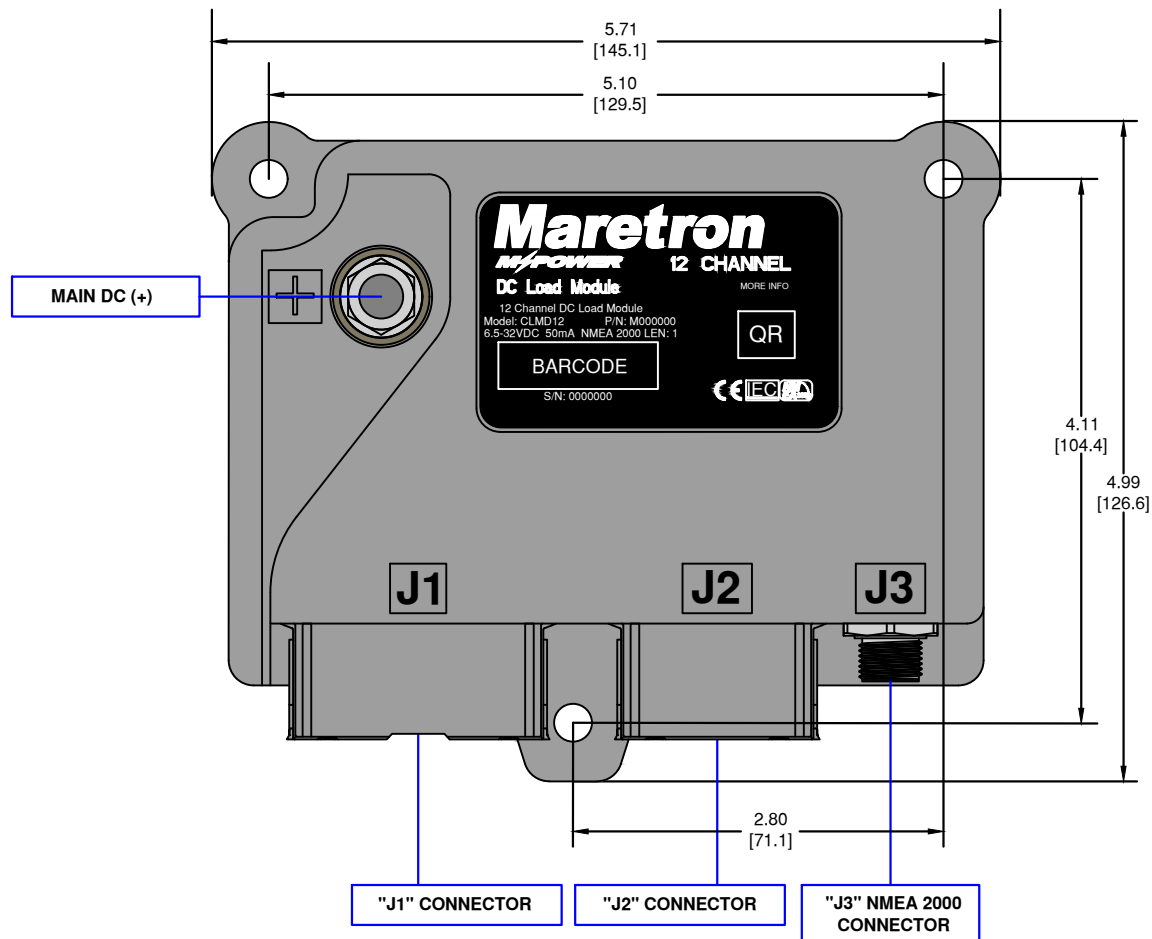
The CLMD12 features 75A total current switching capacity using 12 PWM capable Electronic Circuit Breakers (ECBs) housed inside an IP67, Ignition Protected casing.

CLMD12 Features at a Glance:

- 1- NMEA 2000® Interface
- 2-12A ECBs
- 6-10A ECBs
- 4- 5A ECBs
- 7- Analog (VDC) / Digital Inputs can sense DC (-), DC (+), Float
- 4- Potential Groups of 2 ECB load outputs rated at 10A can be paralleled to switch a maximum current of 18A
- 3- Potential Groups of 2 ECB load outputs rated at 5A can be paralleled to switch a maximum current of 9A
- 1- Pair of 2 ECB load outputs rated at 12A can be paralleled to switch a maximum current of 22A
- The CLMD12 unit is controlled, and can control devices via NMEA 2000® network technology.

To learn more about the MPower CLMD12's features please refer to the User's Manual

CLMD12 Hardware Description:

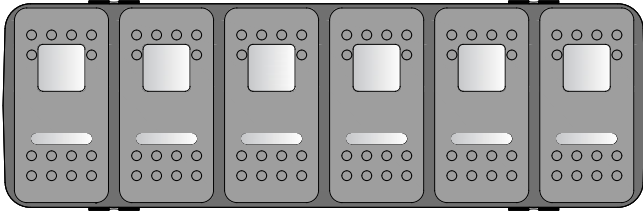


CLMD12 Application:

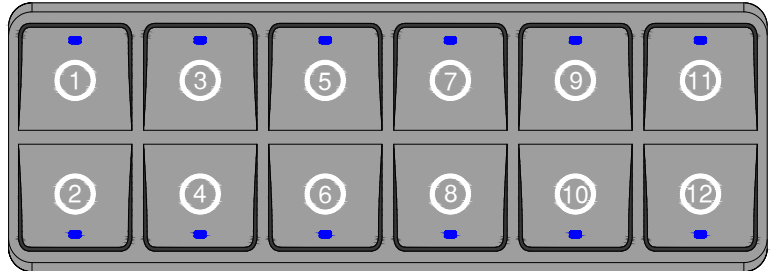
Apply the CLMD12 unit with any Maretron device running N2K view®, Maretron's CKM12 (12 Button Keypad) or VMM6 (Contura® Digital Switch Module, 6 Rocker) and third party MFDs supporting NMEA2000® standard switching PGNs. The CLMD12 comes pre-configured with an *Out of Box Configuration* that allows all 12 ECB outputs to be switched by network devices supporting NMEA2000® standard switching PGNs. The CLMD12's *Out of Box Configuration* also allows for Maretron's CKM12 (12 Button Keypad) and VMM6 (Contura® Digital Switch Module, 6 Rocker) to control CLMD12 without the need for any user configuration adjustments. Please see the *Out of Box Configuration* details in this Quick Start Guide for information on the CLMD12's default configuration and how this configuration will behave when a CLMD12 is paired with a Maretron CKM12 or Maretron VMM6.

Note: Depending on desired switch control, default configuration may not work for your application and custom configuration will be needed using Maretron N2KAnalyzer®.

MARETRON VMM6



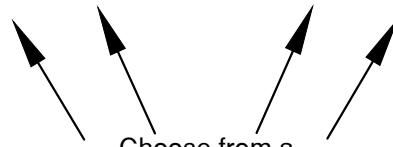
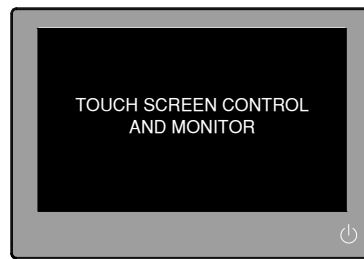
MARETRON CKM12



MARETRON TSM810C



THIRD PARTY MFD

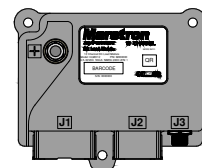


Choose from a Variety of Control Devices for the CLMD12

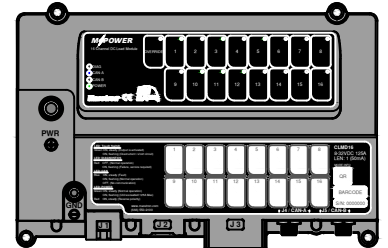


Easily Expand your MPower System with Another CLMD12 or Other Maretron MPower Devices

MARETRON CLMD12

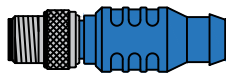
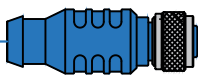


MARETRON CLMD16



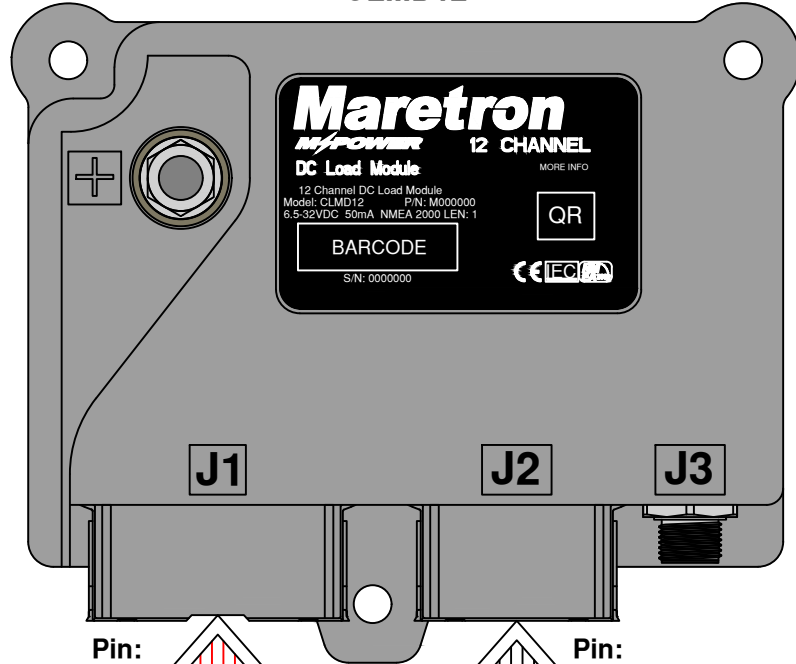
Other NMEA 2000® Devices:

- Stereo
- VHF
- Depth



CLMD12 Out of Box Configuration Module Details:

CLMD12



Output Mode:

5A Outputs:

- Toggle On / Off — Breaker 3 / (5A) — J1-8
- Toggle On / Off — Breaker 6 / (5A) — J1-10
- Toggle On / Off — Breaker 9 / (5A) — J1-11
- Toggle On / Off — Breaker 12 / (5A) — J1-9

10A Outputs:

- Toggle On / Off — Breaker 1 / (5A) — J1-6
- Toggle On / Off — Breaker 2 / (5A) — J1-4
- Toggle On / Off — Breaker 5 / (5A) — J1-1
- Toggle On / Off — Breaker 8 / (5A) — J1-3
- Toggle On / Off — Breaker 10 / (5A) — J1-5
- Toggle On / Off — Breaker 11 / (5A) — J1-7

Inputs:

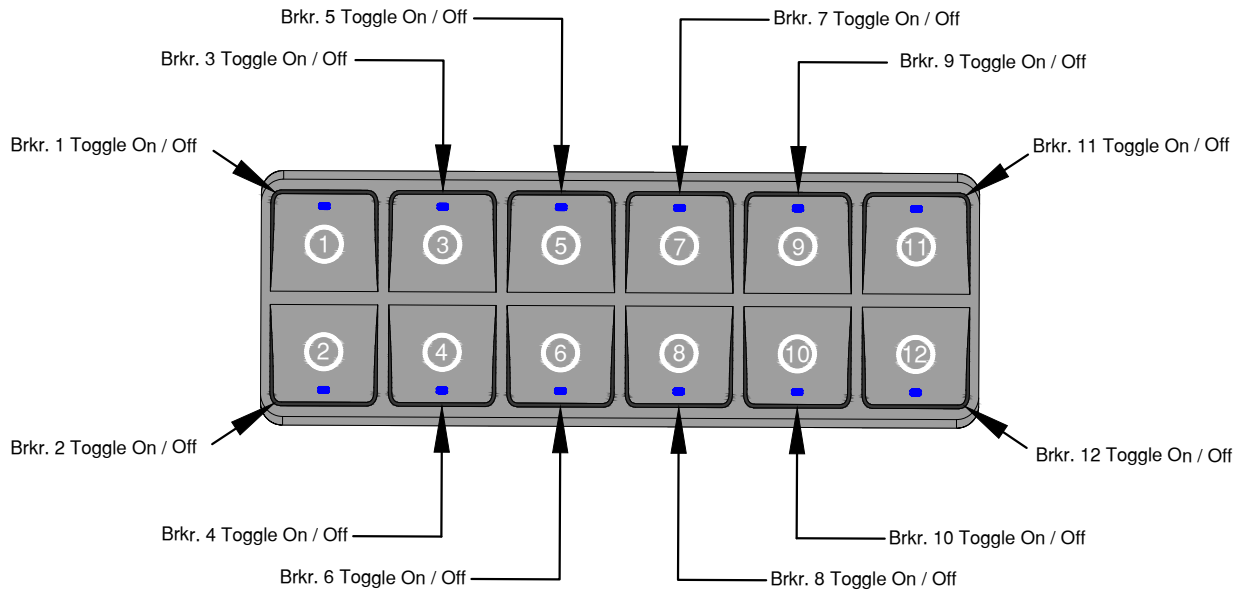
- J2-2 Breaker 1 Toggle DC(-) or DC(+)
- J2-7 Breaker 2 Toggle DC(-) or DC(+)
- J2-1 Breaker 3 Toggle DC(-) or DC(+)
- J2-8 Breaker 4 Toggle DC(-) or DC(+)
- J2-4 Breaker 5 Toggle DC(-) or DC(+)
- J2-5 Breaker 6 Toggle DC(-) or DC(+)
- J2-3 Breaker 7 Toggle DC(-) or DC(+)
- J2-6 **GROUND**

12A Outputs:

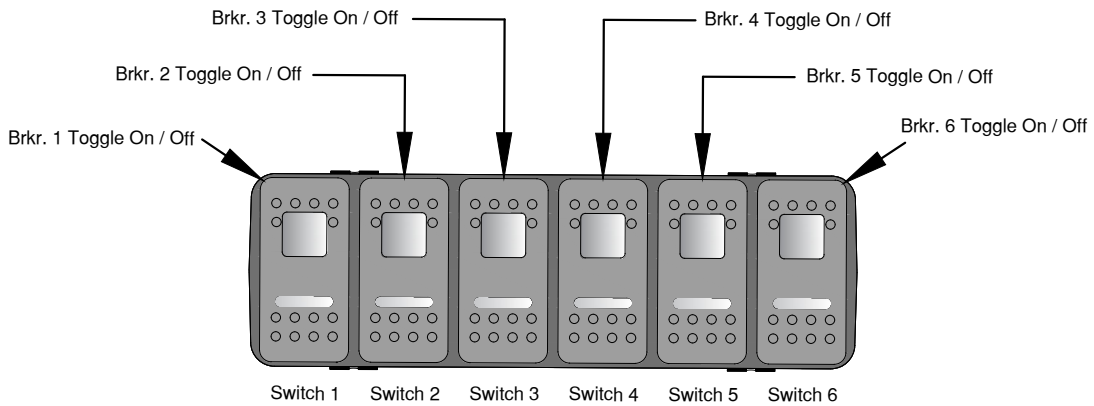
- J1-2 Breaker 4 / (5A)
- J1-12 Breaker 7 / (5A)

CLMD12 Out of Box Configuration Switch Bank Details:

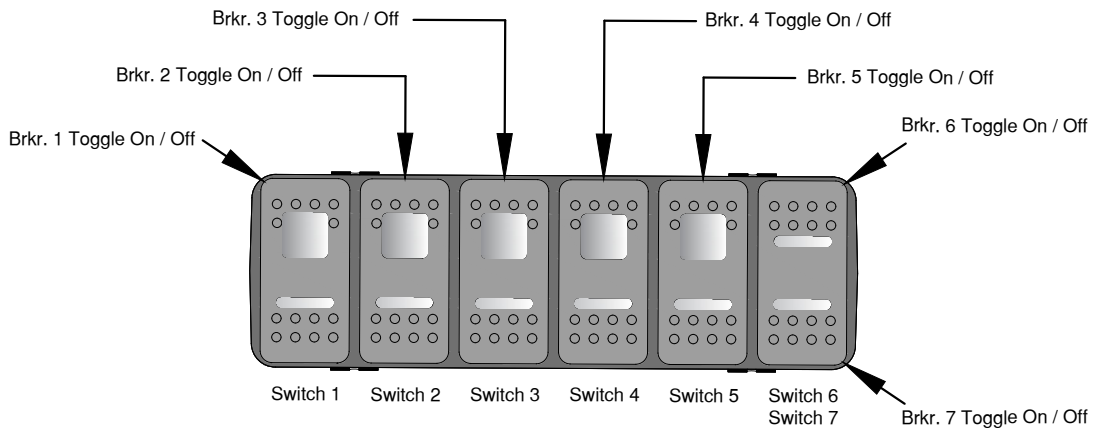
MARETRON CKM12



MARETRON VMM6 (6 Switch)



MARETRON VMM6 (7 Switch)





CLMD12

12 Channel DC Load Controller Module

**For Additional Information About Your
CLMD12 Scan this QR Code:**



Technical Support:

If you require technical support for Maretron products,
you can reach us in any of the following ways:

Telephone: 1-866-550-9100

Fax: 1-602-861-1777

E-mail: marine.support@carlingtech.com

World Wide Web: <http://www.maretron.com>

Mail: Carling Technologies, Inc.

Attn: Maretron Technical Support

120 Intracoastal Pointe Dr.

Jupiter, FL 33477 USA